



MADE IN QATAR

A Member of



# ACCESS DOORS

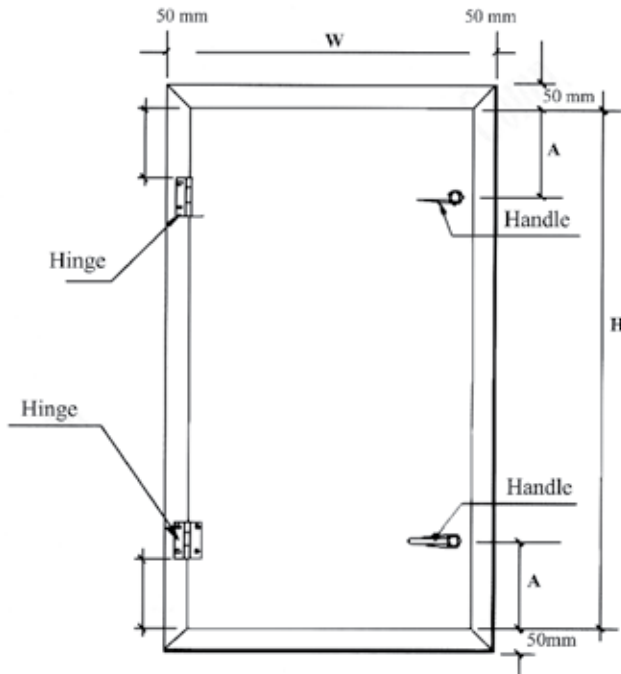


# CAT DUCT PRODUCTS ARE WIDELY APPROVED AND USED IN QATAR INCLUDING PROJECTS FOR KAHRAMAA, ASHGHAL, PEARL QATAR ETC.

## CAT DUCT PRODUCT RANGE

- GI Rectangular Ducting
- GI Spiral Ducting
- Aluminum Ducting
- Stainless Steel Ducting
- Black Steel Ducting
- Fire Rated Ducting
- Rectangular Volume Control Dampers ( GI & SS )
- Round Volume Control Dampers ( GI, SS & AL )
- Fire Dampers
- Air Filters
- Access Doors
- VAV
- Sound Attenuators
- Back Draft Dampers
- Metal Cladding ( AL & SS )
- Fresh Air Intake Assembly
- S.S. Kitchen Equipments

**ACCESS DOOR FOR PLENUM  
ALSO FITS SINGLE SKIN AIR CHAMBER**



**ACCESS DOOR FOR PLENUM**

**SPECIFICATIONS**

**FRAME**

Maximum gauge is 14, but can fabricate any gauge lower than gauge 14 as per request.

**DOOR**

Galvanized steel Ga.20, with internal insulation of 48kg/m<sup>3</sup> density fiberglass where thickness will depend on client/project requirement.

**HINGES**

Usually Durodyne hinges but can be used with any available brand with the same specification.

**DOOR HANDLE**

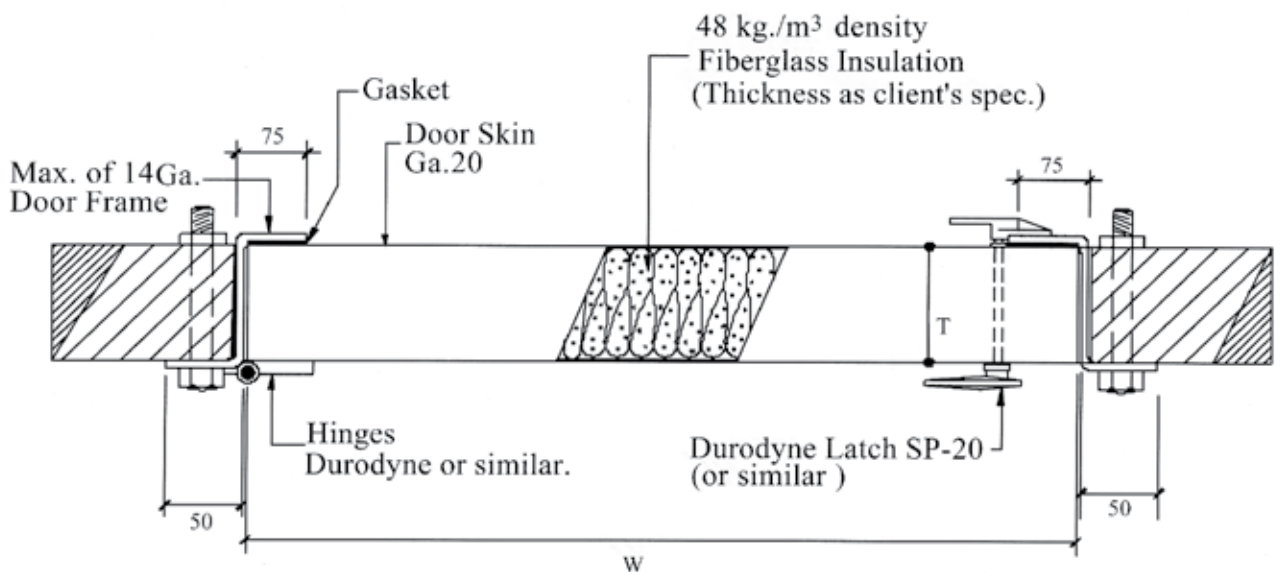
Usually Durodyne Latch SP-20 but can be use with any available brand with the same specification.

**INSULATION**

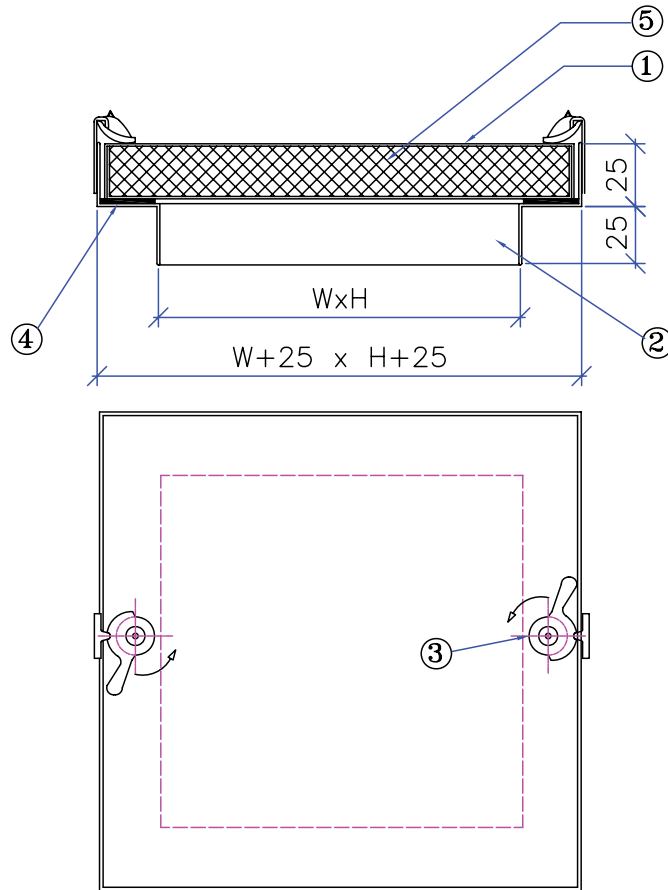
48 kg/m<sup>3</sup> density fiberglass insulation where thickness depends on client/project requirement, or depends on plenum wall thickness.

**GENERAL**

Generally used as maintenance access on large air plenums that require tough construction access door.



# ACCESS DOORS



## Legend

- 1) Door Panel
- 2) Frame
- 3) Self- tightening Camlocks
- 4) 25mm wide Gasket
- 5) Mineral Wool Insulation thickness 25mm

## TYPE:

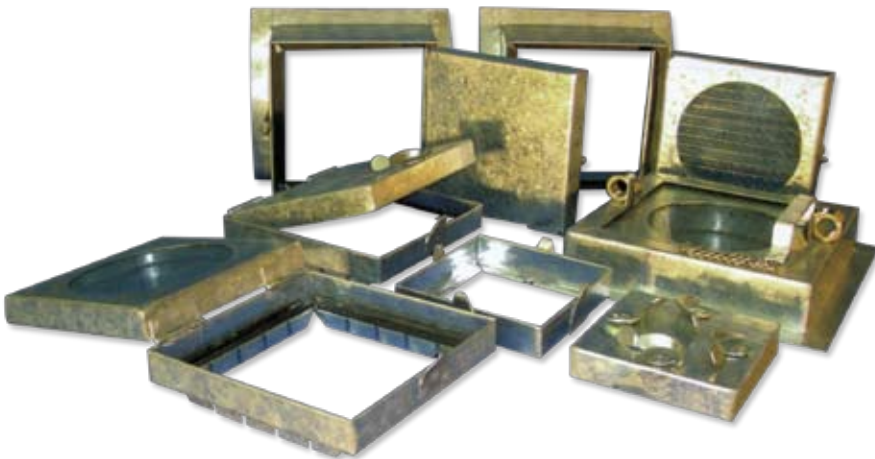
- ACDC : ACCESS DOOR WITH CAMLOCK
- ACDH : ACCESS DOOR WITH HINGES

## SIZE:

- EXACT OPENING SIZE L x W

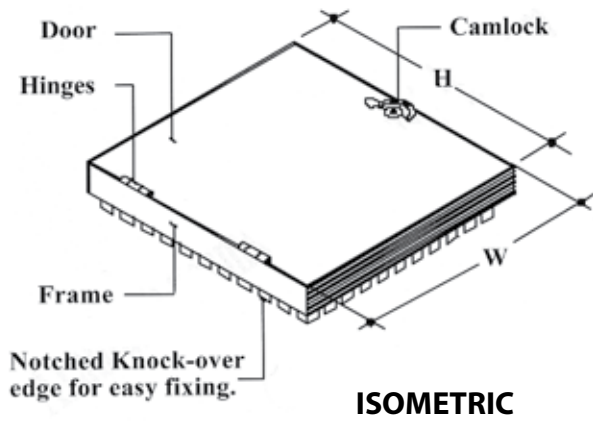
## Specification

- CAT access door made out of galvanized sheets of 22 GS Thickness.
- 25mm insulation thickness with density of 24kg/m<sup>3</sup>.
- Opening and closing of access door can be achieved by camlock system.
- Optional wingnut system for opening and closing, if required.



- ADH-N - Normal type standard model
- ADH-S - Normal saddle type
- ADP - Access door for plenum

## NORMAL STANDARD MODEL HINGE/CAMLOCK COMBINATION



## SPECIFICATIONS

### DOORS

Made of galvanized steel Ga.24, double skin and with internal insulation. (see section detail)

### DOOR FRAME

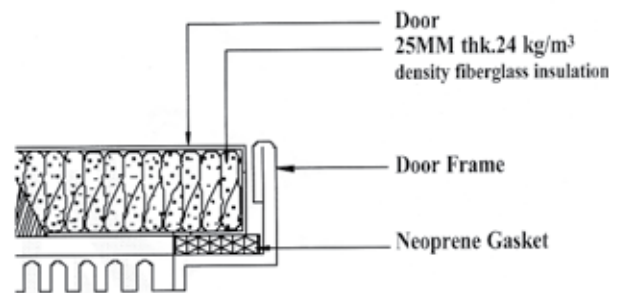
Galvanized steel Ga.24 roll formed. Provided with foam gasket all around. Bottom edge will be notched knock over for easy fixing onto the duct.

### CAMLOCK

Hot rolled steel camlock. Use one piece of camlock only on door size (H) up to 300mm only.

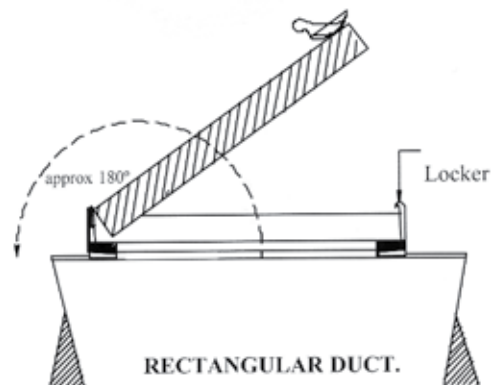
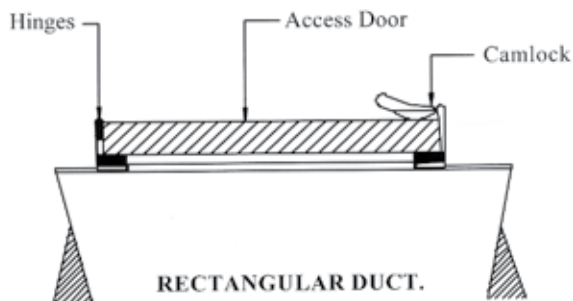
### HINGES

Hinges, spot welded to the frame.

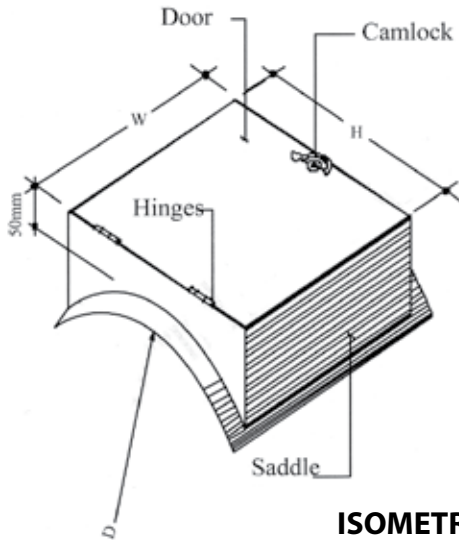


### SECTION

Note: Model ADH-N for Normal Hinged – Camlock maximum size for normal with above specification type is 600mm x 600mm

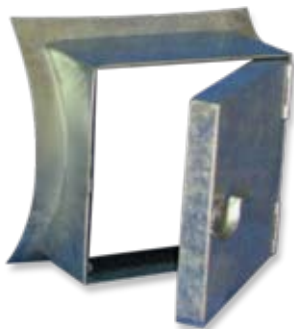


## SADDLE TYPE NORMAL DOOR TYPE HINGE/CAMLOCK COMBINATION



**ISOMETRIC**

$R \times 2 = D$  (main duct diameter)



## SPECIFICATIONS

### DOORS

Made of galvanized steel Ga.24, double skin and with internal insulation. (see section detail)

### DOOR FRAME

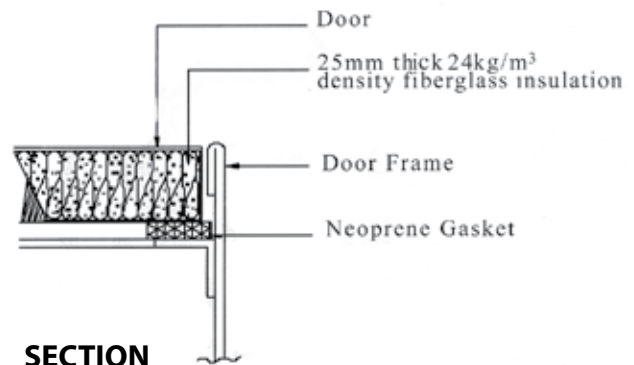
Made of galvanized steel Ga.24 double skin and with internal insulation. (see section detail)

### CAMLOCK

Hot rolled steel camlock. Use one piece of camlock only on door size (H) up to 300mm only.

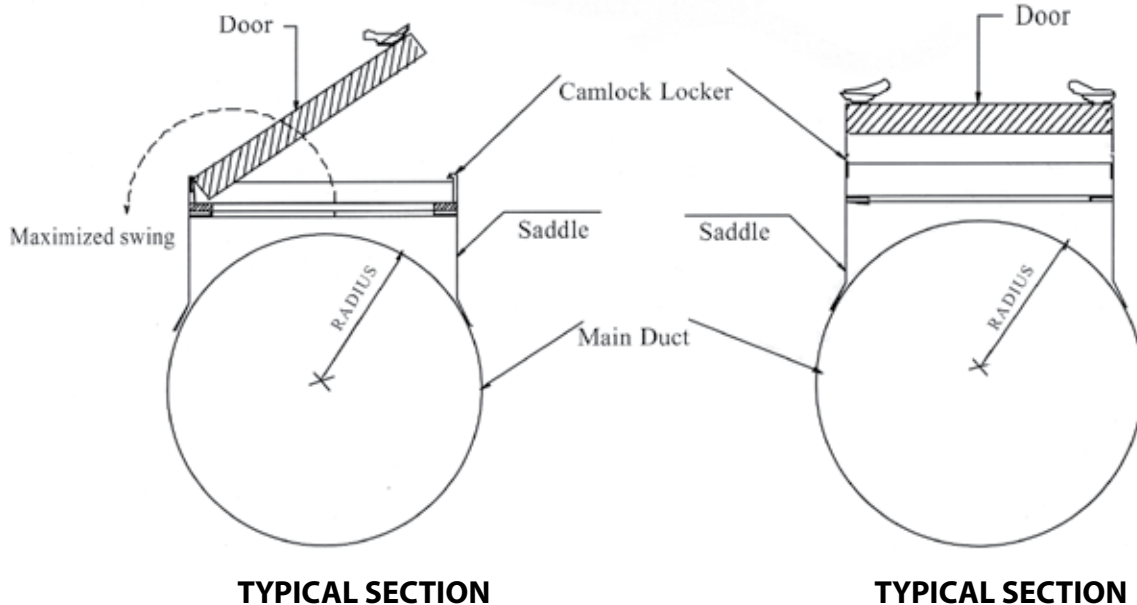
### HINGES

Hinges, spot welded to the frame.



### SECTION

Model ADH-S Saddled Hinged – Camlock maximum size for normal with above specification type is 600mm x 600mm



**TYPICAL SECTION**

**TYPICAL SECTION**



**CAT HVAC DUCT Manufacturing Division**

• Unit 1, Street No. 37 | Unit 2, Street No. 40 | Unit 3, Street No. 34,  
Salwa Industrial Area Tel: (+974) 460-7292 Fax: (+974) 460-7731  
Email: [catduct@qatar.net.qa](mailto:catduct@qatar.net.qa) Website: [www.aac.com.qa](http://www.aac.com.qa)